



Upgrade & retrofit solution | NPB Bagger

# NPB Tong Cylinder Kit

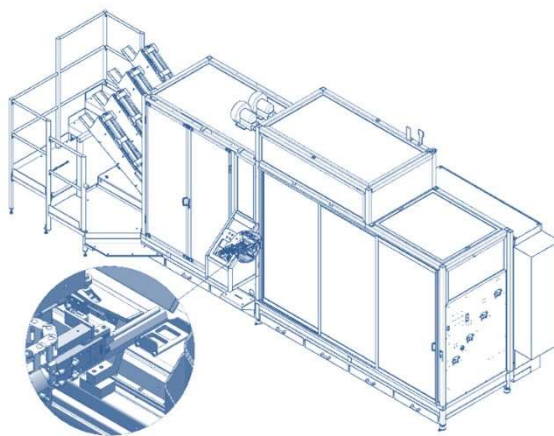
Introducing a new generation that replaces the obsolete cylinder  
GA-30046526-01 (GM-Z 22/20, GA-306150, RM-306150).



## Future-proof your production

The existing Tong Cylinder will be discontinued and hence no longer be available for purchase. To ensure continued performance and serviceability, NPB now provides an upgrade kit compatible with both Gen 1 and Gen 2 models.

Installed in the NPB Baggers, the new-generation Tong Cylinder features an improved design with enhanced mounting, including easily accessible screws for faster and more convenient assembly. It's a future-proof solution for your production line.



Parts mounted in the bag-folding area.

## Technical details and upgrade kit

The upgrade kit includes the new cylinder, swivel, air couplings, improved tong elements for easier maintenance, and shims.

Please note that installing the new model requires a dedicated mounting kit.

## Technical specifications

### Part numbers:

12073390-10 Tong upgrade kit –Left and Right

### Replacing:

GA-30046526-01 (GM-Z 22/20, GA-306150, RM-306150)

### Recommended spare parts:

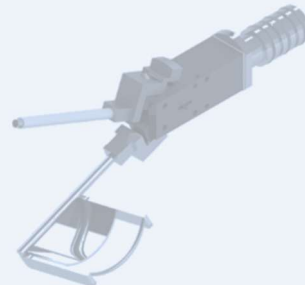
GA-0303653 Radial gripper PRG 42-30  
12230317-1 Mounting Revolvershaft  
12230319-2 Spoon mounting Folding unit  
52210318-7 Sidewall Folding unit  
52210319-3 Flange spoon Folding unit  
12071386-1 Flag Bagging module  
SV-4803220300 O-ring



New Tong Cylinder and parts (Gen 3)



Obsolete (Gen 2)



Obsolete (Gen 1)

PART OF THE XANO GROUP



NPB designs, develops and manufactures automation equipment for the packaging industry. We have top-rate expertise in mechanics and design as well as thorough knowledge in the development and manufacturing of automation equipment. The organization is customer-oriented and flexible with the aim to deliver intelligent machines that are simple to handle.

NPB Automation AB  
Industrigatan 14B  
SE-553 02 Jönköping | Sweden  
Phone +46 (0)36 290 76 00  
info@npb.se  
www.npb.se